

DO NOT
SCALE FROM
THIS PRINT

**THIS PRODUCT MANUFACTURED
WITH LEAD-FREE PROCESSING**

LEAD STYLE
-01: 4 POS (1.0 TERM/SKT), 24 AWG
-02: 5 POS (1.0 TERM/SKT), 24 AWG
-03: 6 POS (0.5 TERM/SKT), 28 AWG
-04: 8 POS (0.5 TERM/SKT), 28 AWG
-05: 6 POS COMBO
(2x1.0 TERM/SKT), 24 AWG
(4x0.5 TERM/SKT), 28 AWG

PLATING
-G: 10µ GOLD IN CONTACT AREA
-H: 30µ GOLD IN CONTACT AREA

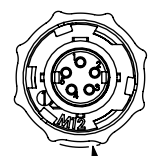
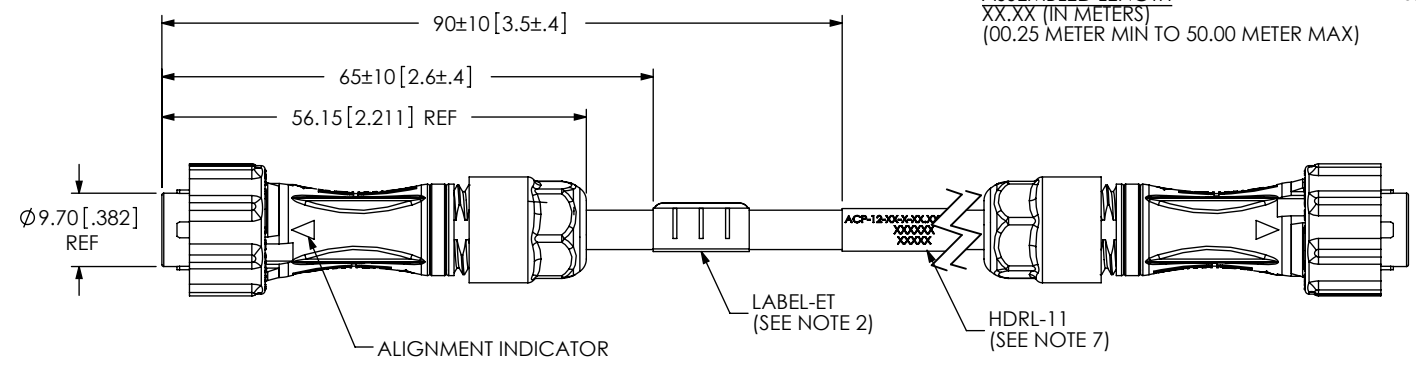
ASSEMBLED LENGTH
XX.XX (IN METERS)
(00.25 METER MIN TO 50.00 METER MAX)

KEYING FEATURE
(SEE NOTE 4)(SEE SHEET 2)
-1: ORANGE
-2: GREEN
-3: BLUE
-4: YELLOW

STYLE
-P: PLASTIC

END 2
-T: TERMINAL
-S: SOCKET
-BC: BLUNT CUT

END 1
-T: TERMINAL
-S: SOCKET (NOT AVAILABLE WITH END 2 -T)



Ø18.50 [.728] REF

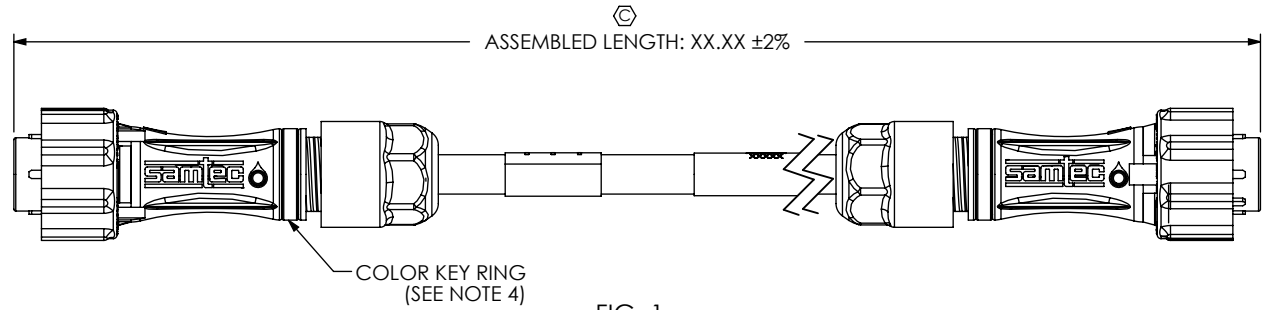


FIG. 1
ACP-12-02-X-XX.XX-T-T-P-1 SHOWN

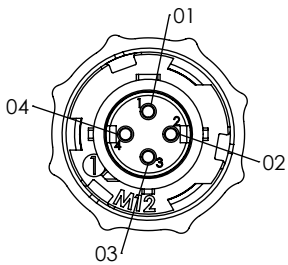
NOTES:

1. Ⓢ REPRESENTS A CRITICAL DIMENSION.
2. ASSEMBLY TO BE 100% TESTED FOR CONTINUITY, ISOLATION, & HI-POT AT 300V.
(1) LABEL-ET TO BE APPLIED AFTER FINAL ELECTRICAL TEST.
3. ASSEMBLIES TO BE BULK PACKAGED.
4. KEYING FEATURE DETERMINES COLOR OF KEY RING AND DUSTCAP LANYARD IF APPLICABLE.
5. SIGNAL MAPPING IS 1 TO 1, 2 TO 2, 3 TO 3, etc..
6. REFER TO DCA-ACP-12-P-X PRINT FOR DUST CAP.
7. PLACE HDRL-11 (LABEL) ON CABLE WHERE SHOWN. LABEL TO CONTAIN
LINE 1 - PART NUMBER "ACP-12-XX-X-XX.XX-X-XX-P-X"
LINE 2 - SHOP ORDER NUMBER "XXXXXX"
LINE 3 - DATE CODE "XXXXX"
8. ACCN-12-P TORQUE SPEC: 10 IN - LBS
9. PARTS TO BE BUILT AND INSPECTED TO IPC-A-620 CLASS 2.

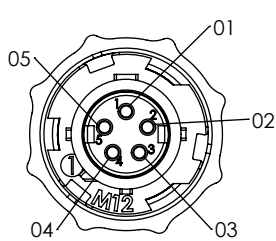
<p>UNLESS OTHERWISE SPECIFIED, DIMENSIONS ARE IN MILLIMETERS. TOLERANCES ARE: DECIMALS ANGLES X.X: ±0.3 [.01] 2° X.XX: ±0.13 [.005] X.XXX: ±0.051 [.0020]</p>	<p>PROPRIETARY NOTE THIS DOCUMENT CONTAINS INFORMATION CONFIDENTIAL AND PROPRIETARY TO SAMTEC, INC. AND SHALL NOT BE REPRODUCED OR TRANSFERRED TO OTHER DOCUMENTS OR DISCLOSED TO OTHERS OR USED FOR ANY PURPOSE OTHER THAN THAT WHICH IT WAS OBTAINED WITHOUT THE EXPRESSED WRITTEN CONSENT OF SAMTEC, INC.</p>	<p>samtec 520 PARK EAST BLVD, NEW ALBANY, IN 47150 PHONE: 812-944-6733 FAX: 812-948-5047 e-Mail: info@SAMTEC.com code 53322</p>
<p>MATERIAL: DO NOT SCALE DRAWING SHELL: NYLON, COLOR: BLACK TERMINALS: BRASS CONTACTS: BRASS/BeCu</p>	<p>SHEET SCALE: 1:1</p>	<p>DESCRIPTION: ACCLIMATE CIRC. CABLE ASSEMBLY DWG. NO. ACP-12-XX-X-XX.XX-X-XX-P-X BY: D.SCHMELZ 09/17/2010 SHEET 1 OF 4</p>

-T END OPTIONS

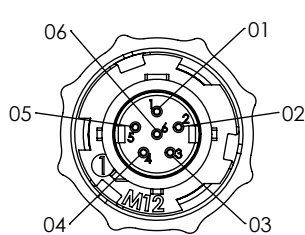
-01: 4 POS
(Ø 1.0 TERMINALS)



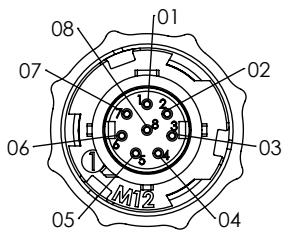
-02: 5 POS
(Ø 1.0 TERMINALS)



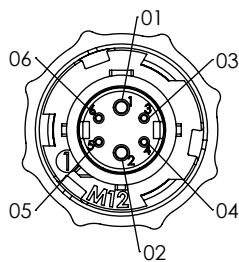
-03: 6 POS
(Ø 0.5 TERMINALS)



-04: 8 POS
(Ø 0.5 TERMINALS)

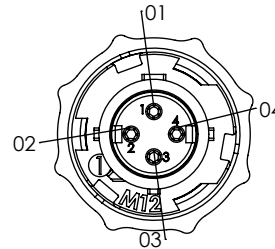


-05: 6 POS COMBO
(2x Ø 1.0 TERMINALS)
(4x Ø 0.5 TERMINALS)

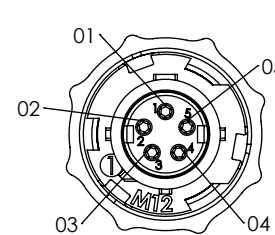


-S END OPTIONS

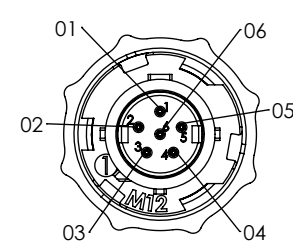
-01: 4 POS
(Ø 1.0 SOCKETS)



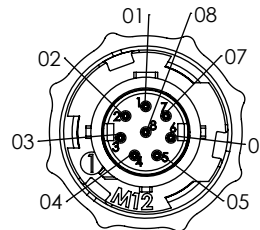
-02: 5 POS
(Ø 1.0 SOCKETS)



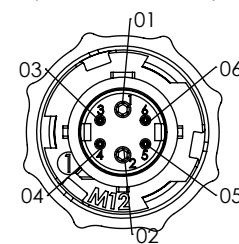
-03: 6 POS
(Ø 0.5 SOCKETS)



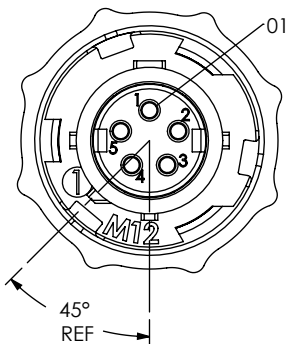
-04: 8 POS
(Ø 0.5 SOCKETS)



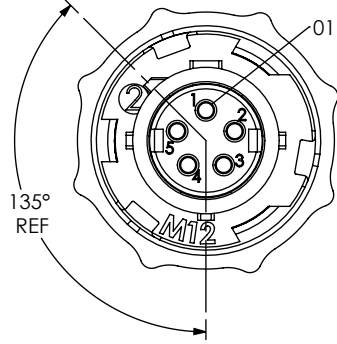
-05: 6 POS COMBO
(2x Ø 1.0 SOCKETS)
(4x Ø 0.5 SOCKETS)



-1
(ORANGE KEY RING)

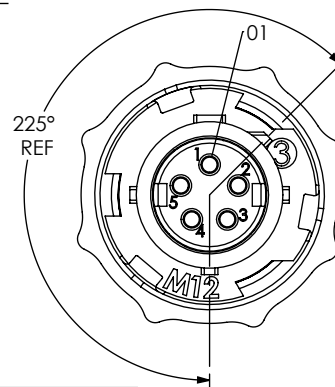


-2
(GREEN KEY RING)

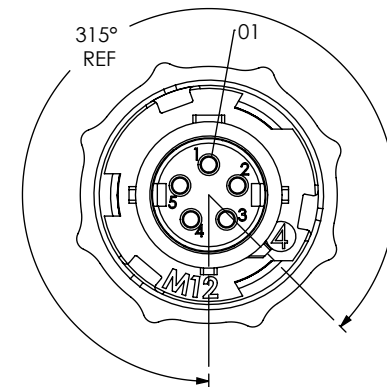


KEYING FEATURE
(SEE NOTE 4)

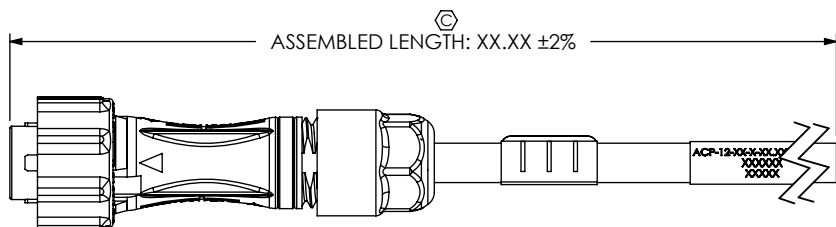
-3
(BLUE KEY RING)



-4
(YELLOW KEY RING)



-BC END OPTION
ACP-12-01-X-XX.XX-T-BC-P-T SHOWN



PROPRIETARY NOTE
THIS DOCUMENT CONTAINS INFORMATION CONFIDENTIAL AND PROPRIETARY TO SAMTEC, INC. AND SHALL NOT BE REPRODUCED OR TRANSFERRED TO OTHER DOCUMENTS OR DISCLOSED TO OTHERS OR USED FOR ANY PURPOSE OTHER THAN THAT WHICH IT WAS OBTAINED WITHOUT THE EXPRESSED WRITTEN CONSENT OF SAMTEC, INC.

DO NOT SCALE DRAWING

SHEET SCALE: 1.5:1

samtec

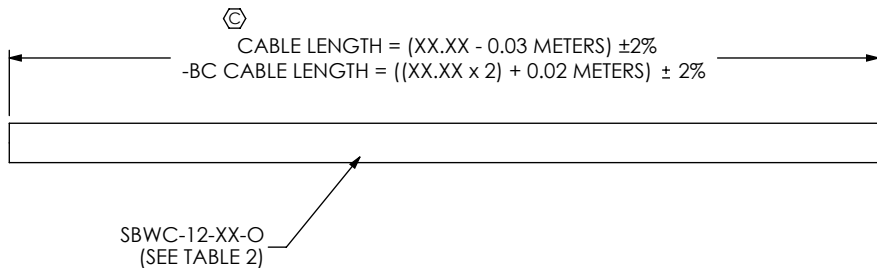
520 PARK EAST BLVD, NEW ALBANY, IN 47150
PHONE: 812-944-6733 FAX: 812-948-5047
e-Mail: info@SAMTEC.com code 55322

DESCRIPTION: ACCLIMATE CIRC. CABLE ASSEMBLY

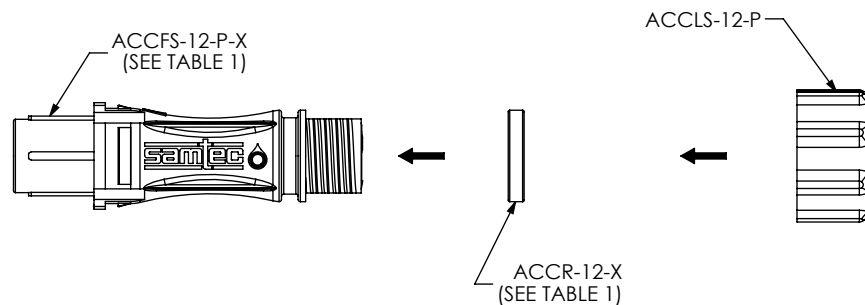
DWG. NO. ACP-12-XX-X-XX.XX-X-XX-P-X

BY: D.SCHMELZ 09/17/2010 SHEET 2 OF 4

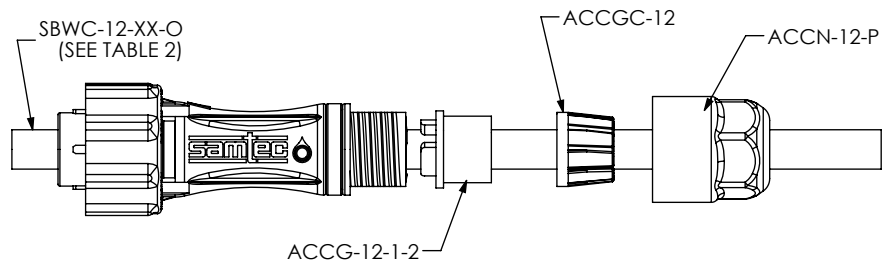
IN-PROCESS 1
CUT SWBC-12-XX-O TO LENGTH



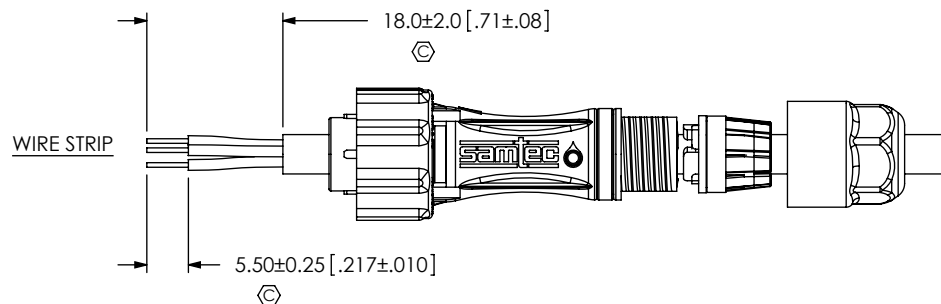
IN-PROCESS 2
STRETCH ACCR-12-X OVER ACCFS-12-P-X UNTIL IT SEATS IN GROOVE
PUSH ACCLS-12-P ONTO ACCFS-12-P-X UNTIL IT SNAPS INTO PLACE AGAINST FLANGE



IN-PROCESS 3
FEED SBWC-12-XX-O BUNDLED CABLE THROUGH ACCN-12-P,
ACCG-12-1-2, ACCGC-12, & ACCFS-12-P-X)



IN-PROCESS 4
STRIP OUTER JACKET & INNER WIRES TO DIMENSIONS
SHOWN, & PUSH ACCG-12-1-2 INTO ACCGC-12



PROPRIETARY NOTE
THIS DOCUMENT CONTAINS INFORMATION
CONFIDENTIAL AND PROPRIETARY TO
SAMTEC, INC. AND SHALL NOT BE REPRODUCED
OR TRANSFERRED TO OTHER DOCUMENTS OR
DISCLOSED TO OTHERS OR USED FOR ANY
PURPOSE OTHER THAN THAT WHICH IT WAS
OBTAINED WITHOUT THE EXPRESSED WRITTEN
CONSENT OF SAMTEC, INC.

DO NOT SCALE DRAWING

SHEET SCALE: 1:1



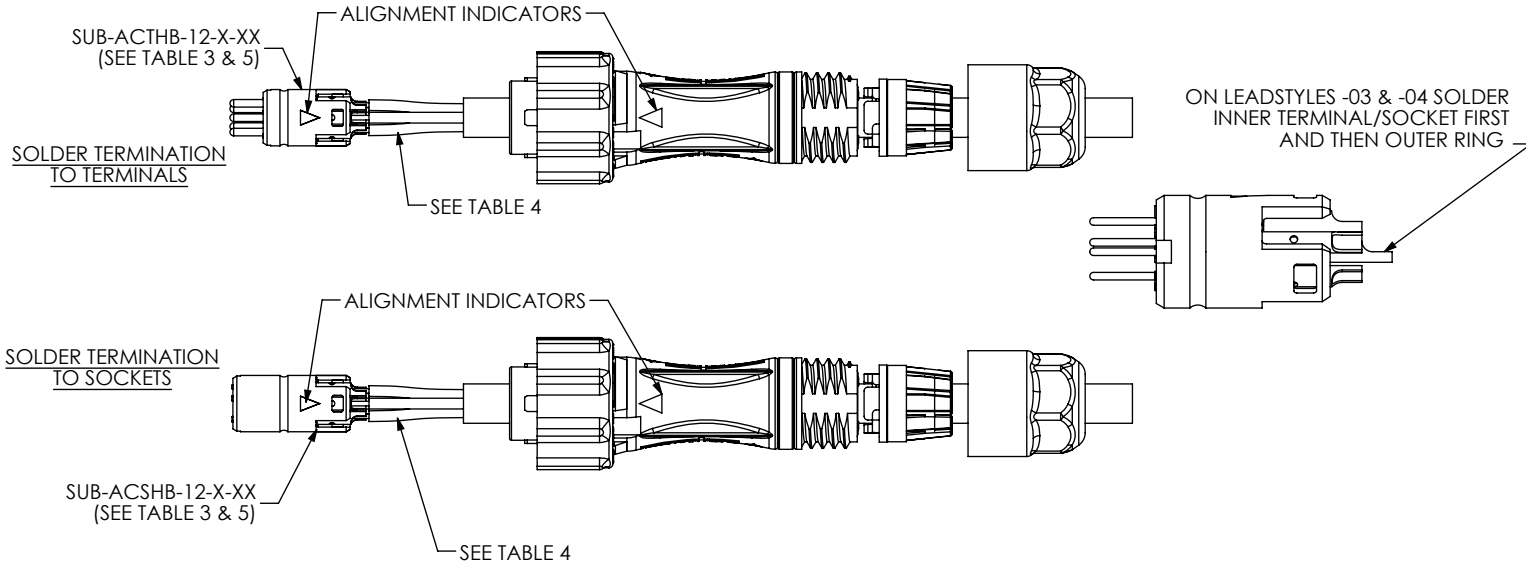
520 PARK EAST BLVD. NEW ALBANY, IN 47150
PHONE: 812-944-6733 FAX: 812-948-5047
e-Mail: info@SAMTEC.com code 55322

DESCRIPTION:
ACCLIMATE CIRC. CABLE ASSEMBLY

DWG. NO.
ACP-12-XX-X-XX.XX-X-XX-P-X

BY: D.SCHMELZ 09/17/2010 SHEET 3 OF 4

IN-PROCESS 5
 TERMINATE WIRES TO TERMINAL/SOCKETS
 (SEE NOTE 5)

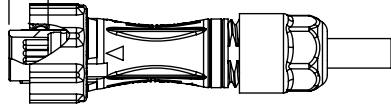


IN-PROCESS 6
 ALIGN PIN 1 INDICATORS AND PUSH SUB-ACXHB-12-X-XX BACK
 INTO ACCFS-12-P-X UNTIL SNAPS ENGAGE
 (SEE NOTE 8)

$$6.90^{+0.13}_{-0.25} [.272^{+0.005}_{-.010}]$$

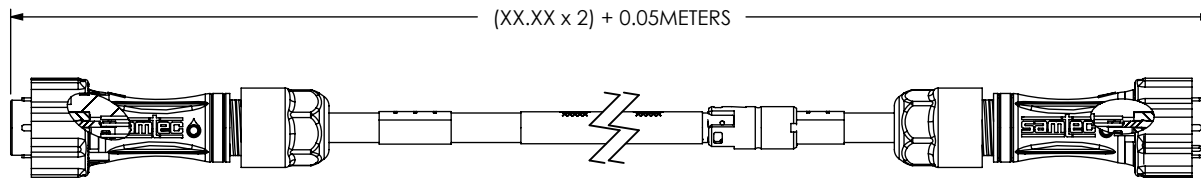
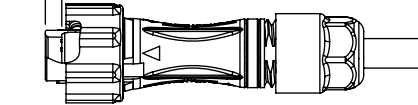


SUB-ACTHB-12-X-XX
 (TERMINAL)



SUB-ACSHB-12-X-XX
 (SOCKET)

$$2.90^{+0.13}_{-0.25} [.114^{+0.005}_{-.010}]$$



IN-PROCESS 7
 (-BC END OPTION ONLY)
 BUILD DOUBLE-ENDED INITIALLY FOR E-TEST,
 APPLY LABEL-ET & HDRL-11 TO BOTH ENDS,
 AND CUT CABLE IN HALF

PROPRIETARY NOTE

THIS DOCUMENT CONTAINS INFORMATION
 CONFIDENTIAL AND PROPRIETARY TO
 SAMTEC, INC. AND SHALL NOT BE REPRODUCED
 OR TRANSFERRED TO OTHER DOCUMENTS OR
 DISCLOSED TO OTHERS OR USED FOR ANY
 PURPOSE OTHER THAN THAT WHICH IT WAS
 OBTAINED WITHOUT THE EXPRESSED WRITTEN
 CONSENT OF SAMTEC, INC.

DO NOT SCALE DRAWING

SHEET SCALE: 1:1



520 PARK EAST BLVD, NEW ALBANY, IN 47150
 PHONE: 812-944-6733 FAX: 812-948-5047
 e-Mail info@SAMTEC.com code 55322

DESCRIPTION:
 ACCLIMATE CIRC. CABLE ASSEMBLY

DWG. NO.
 ACP-12-XX-X-XX.XX-X-XX-P-X

BY: D.SCHMELZ 09/17/2010 SHEET 4 OF 4