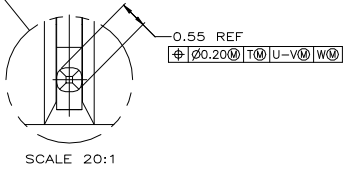
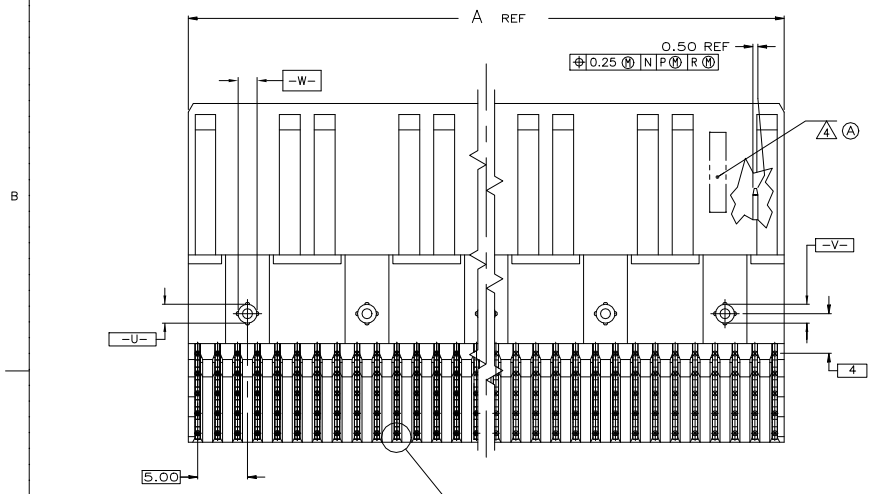
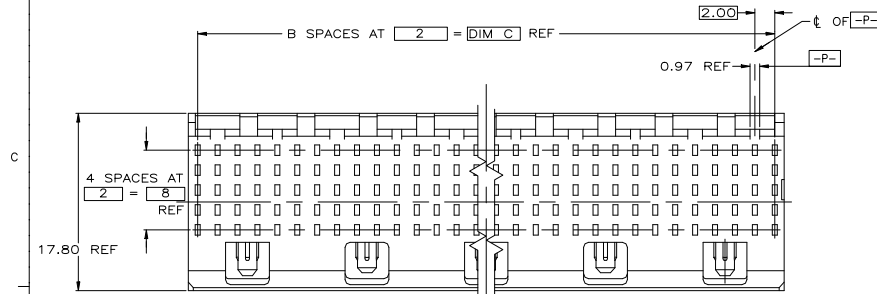
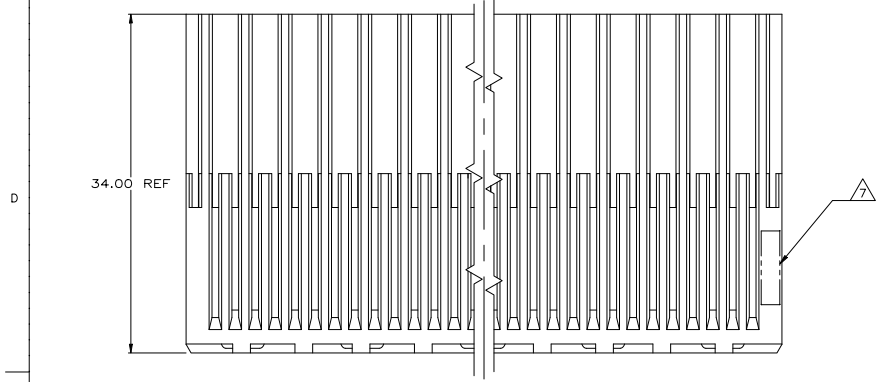
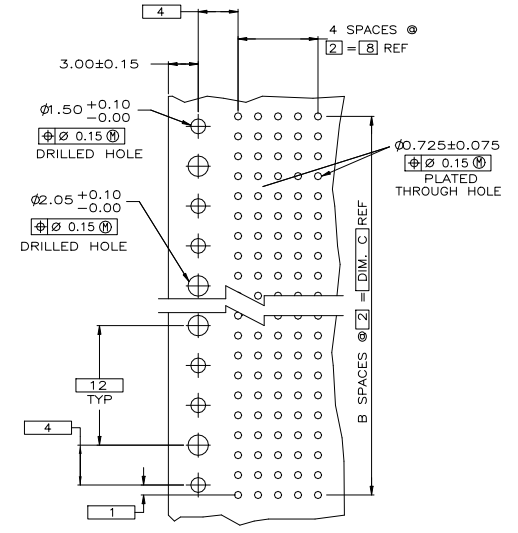
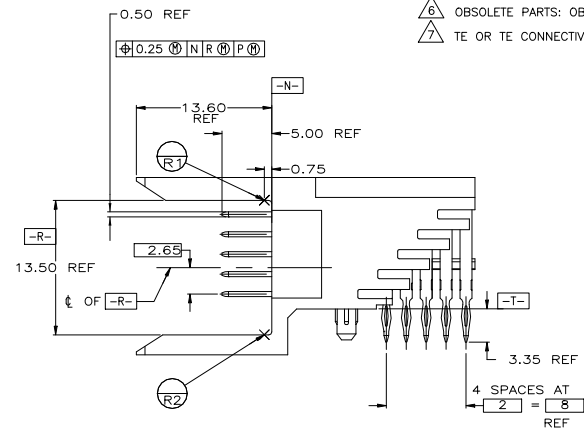


REVISIONS				
P	LNK	DESCRIPTION	DATE	BY/APP
C		REVISED PER ECO-20-013368	25SEP2020	RZ/HL



- △ HOUSING MATERIAL: LIQUID CRYSTAL POLYMER
COLOR: NATURAL.
- △ CONTACT MATERIAL: PHOSPHOR BRONZE
- △ CONTACT FINISH:(C)
UNDERPLATE (ENTIRE CONTACT):
0.00127 MIN NICKEL PER SAE-AMS-QQ-N-290
ON MATING SURFACES:
CONFORMS TO ALL TESTING SPECIFIED FOR TELCORDIA
UNCONTROLLED ENVIRONMENT.
ON LEADS:
0.0005 MIN MATTE TIN PER ASTM B 545 OVER UNDERPLATE.
LUBRICATION (MIN MATING SURFACES):
SURFACE CONDITIONER AFTER PLATING.
- ⓐ PART MARKING PER TE SPEC 115-9009 LOCATED APPROXIMATELY
AS SHOWN BETWEEN RIBS/SLOTS ON EITHER SIDE OF HOUSING AT
MANUFACTURER'S DISCRETION.
- △ PART TO BE MARKED WITH DATE CODE ONLY.
- △ OBSOLETE PARTS: OBSOLETE CIS STREAMLINING PER D.RENAUD/D.SINISI
- △ TE OR TE CONNECTIVITY LOGO IS LOCATED.



OBSOLETE	82	41	83.88	△	210	5223524-7
	70	35	71.88	△	180	5223524-6
△ OBSOLETE	58	29	59.88	△	150	5223524-5
	46	23	47.88	△	120	5223524-4
△ OBSOLETE	34	17	35.88	△	90	5223524-3
	22	11	23.88	△	60	5223524-2
	10	5	11.88	△	30	5223524-1
	C	B	A	FINISH	NO. OF POSN	PART NUMBER

THIS DRAWING IS A CONTROLLED DOCUMENT.

DESIGNER	DATE	REVISED BY	DATE
DRM/BM/MASTER	14DEC04	R.WERTZ	14DEC04
DATE	DATE	DATE	DATE
14DEC04	14DEC04	14DEC04	14DEC04

TE Connectivity

ASSEMBLY, PIN HEADER, RIGHT ANGLE,
5 ROW, 2-PACK 2mm FB,
PRESS FIT LEADS

SIZE: ONE CODE DRAWING NO. RESTRICTED TO
A1 00779 C-5223524

MATERIAL: 0.000000 A1 00779 C-5223524

CUSTOMER DRAWING SCALE: 4:1 SHEET: 1 OF 1 REV: C